

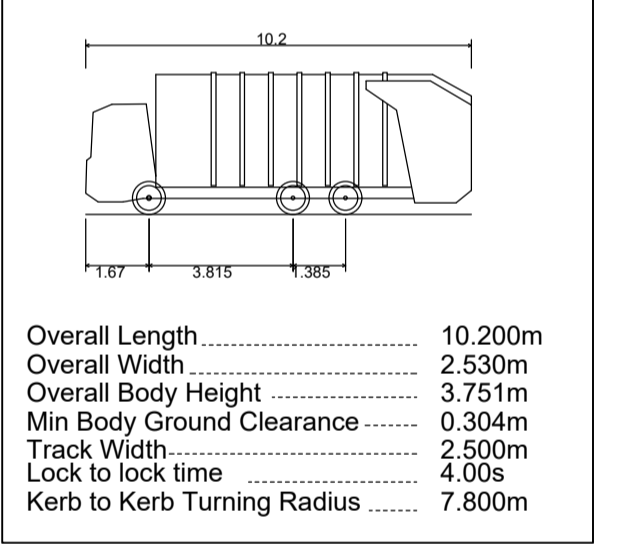
NOTES

- THIS DRAWING IS TO BE READ IN CONJUNCTION WITH ALL OTHER RELEVANT ARCHITECTURAL AND ENGINEERING DRAWINGS, ANY DISCREPANCIES, ERRORS OR OMISSIONS TO BE BROUGHT TO THE ATTENTION OF THE DESIGNER.
- ALL DIMENSIONS TO BE CHECKED BY THE CONTRACTOR ON SITE PRIOR TO COMMENCEMENT OF WORKS.
- AECOM LIMITED TO BE INFORMED BY THE CONTRACTOR OF ANY DISCREPANCIES PRIOR TO THE COMMENCEMENT OF WORKS ON SITE.
- DIMENSIONS OF ALL BOUNDARIES AND ADJOINING ROADS TO BE CHECKED ON SITE PRIOR TO COMMENCEMENT OF WORKS.

LEGEND:



Phoenix 2 Duo (P2-12W with Elite 6x4 chassis)



ISSUE/REVISION

I/R	DATE	DESCRIPTION
1	18.03.2021	STAGE 3 PLANNING ISSUE
0	22.06.2020	STAGE 2 PRE-APP ISSUE

PROJECT NUMBER

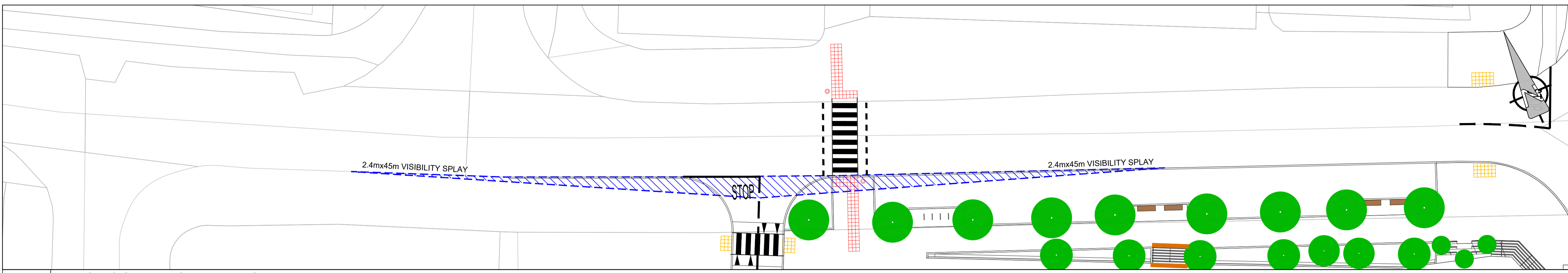
60626107

SHEET TITLE

PROPOSED VISIBILITY SPLAY AND AUTOTRACK ANALYSIS

SHEET NUMBER

PR461030-ACM-XX-00-DR-CE-10-0101



A PROPOSED VISIBILITY SPLAY
 0101 Scale: 1:250



B AUTOTRACK ANALYSIS
 0101 Scale: 1:250